

THINK DIGITAL

NEW GENERATION Ti-BASE



sis

Smart Implant Solutions

NEW GENERATION Ti-BASE



THINK DIGITAL - Smart Product

Ti-BASE

WITH GINGIVAL HEIGHT (HG)



VARIOUS
GINGIVAL
HEIGHTS

ENGAGING



CHIMNEY
HEIGHT
4.4mm.

NON-ENGAGING

Ti-BASE

WITH GINGIVAL (HG) & CEMENTATION (HC) HEIGHT 7mm.



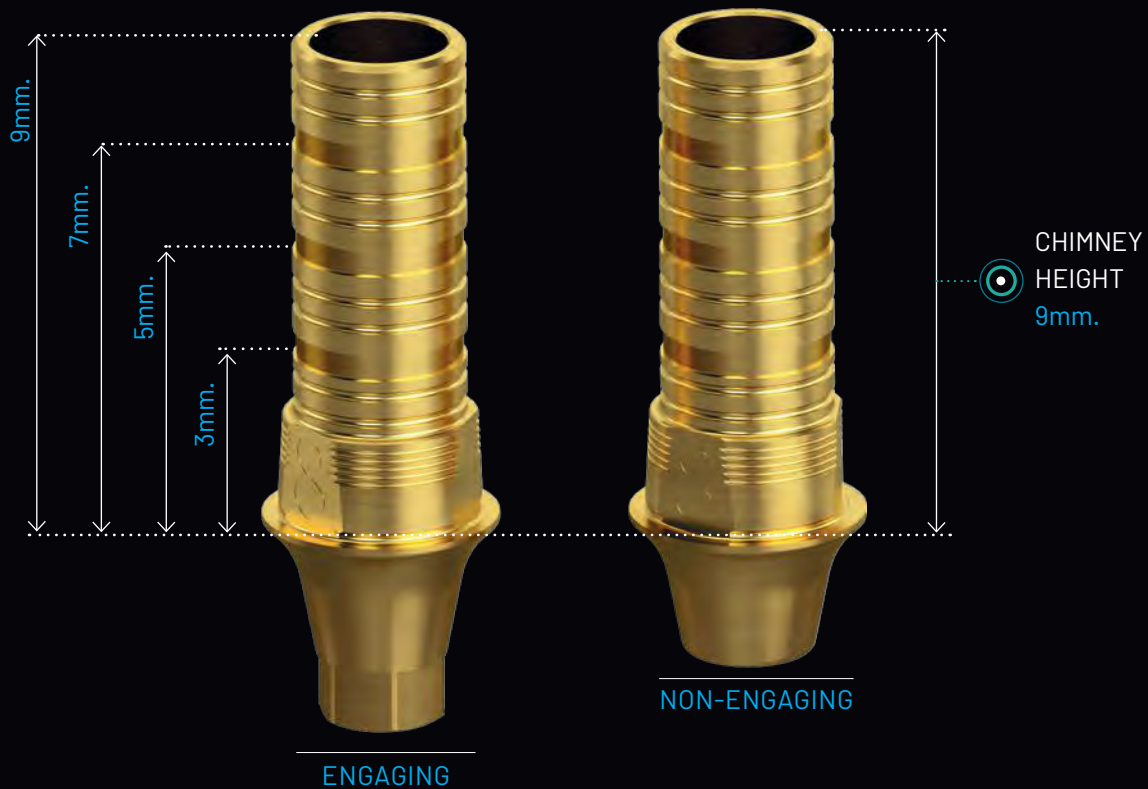
ENGAGING



NON-ENGAGING

Ti-BASE

CUTTABLE (9mm.)



Trim with a
disc for metal.

SMART ANGLE



THE MARKET'S SAFEST ANGLED SOLUTION

PATENTE INTERNAL BALL HEAD - ES 2577509 T3

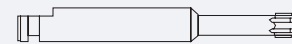


IMPROVED CONNECTION: It prevents screw crowning.

BLUE ANODIZED: It allows to make a clear distinction between a standard screw and a Smart Angle screw.

MATERIAL: Grade 5 Titanium.

Both the Smart Implant Solutions Ti-Bases and the implant libraries are ready to use with the Smart Angle screws.



SHORT
(20mm)

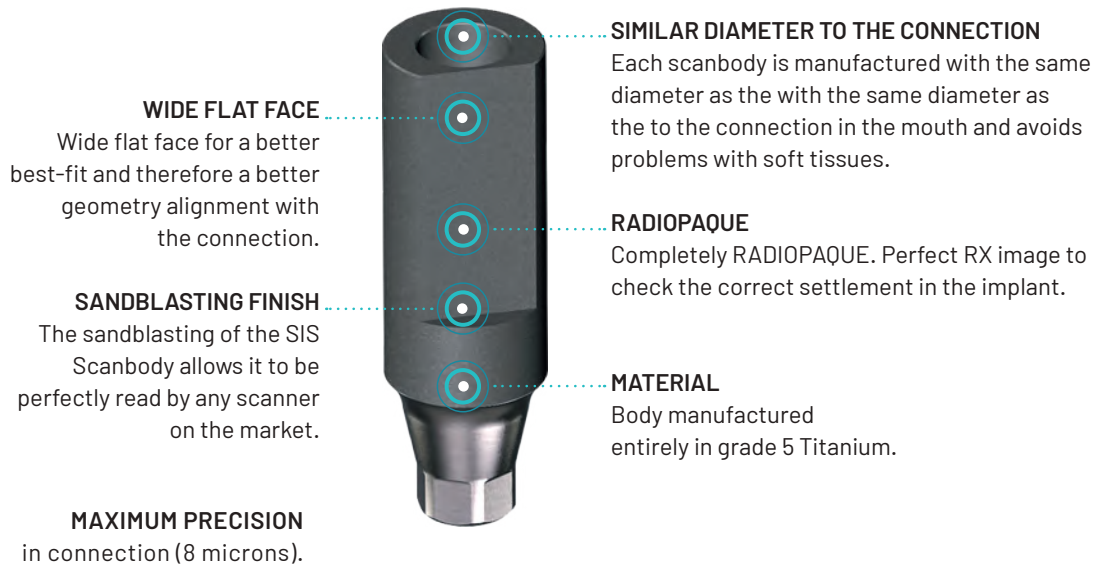
MEDIUM
(25mm)

LONG
(35mm)

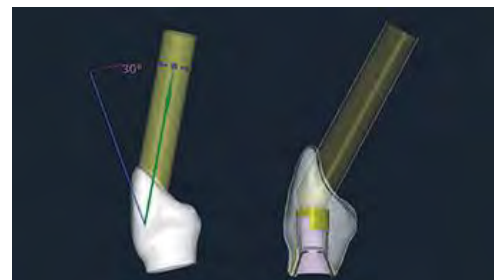
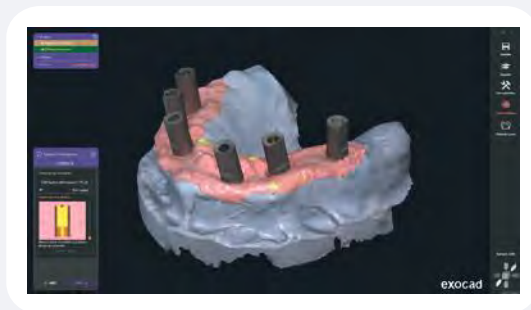
INTRA/EXTRA-ORAL SCANBODY

A SINGLE SCANBODY FOR ALL USES

The line of Scanbodies developed by Smart Implant Solutions R&D department greatly simplifies the way of working. It serves both for intraoral scanning (clinical) and for use in cast or resin models (laboratory).



SIMPLIFIES THE WAY OF WORKING



Free libraries available at: www.smartimplantsolutions.com

AVAILABLE COMPATIBILITIES

 NOBEL BIOCARE® BRANEMARK® External Hexagon

 BIOMET 3i® OSSEOTITE® External Hexagon

 MIS SEVEN® Internal Hexagon

 ZIMMER® SCREW-VENT® Internal Hexagon

 BIOMET 3i® CERTAIN® Internal Hexagon "Click"

 ASTRA® TECH OSSEOSPEED® Internal Conical

 STRAUMANN® TISSUE LEVEL® Octagonal

 BTI® Internal Tetra-lobe

 NOBEL BIOCARE® REPLACE SELECT® Tri-lobe

 NOBEL BIOCARE® NOBELACTIVE® Internal Active

 KLOCKNER® SK2® High External Hexagon

 MIS® C1/V3 Internal Conical Hexagon

 STRAUMANN® BONE LEVEL® Internal

 BTI® External Hexagon


 SWEDEN & MARTINA® PREMIUM KOHNO® Internal

 PHIBO® TSH® External Hexagon

 BIOHORIZONS® TAPERED® Internal Hexagon

 NEOBIOTECH® IS SYSTEM Internal Conical

 ASTRA® TECH SYSTEM™ EVOLUTION Internal Conical

 NEODENT GM® (Helix GM®, Drive GM®, Titamax GM®) Internal Conical

 MEGAGEN ANYRIDGE® Internal Conical

 DENSTPLY® XIVE® Internal Conical

 DENSTPLY® ANKYLOS® Internal Ankylos

 OSSTEM® TS/ HIOSSEN® ET Internal Conical

 DIO® UFII® Internal Conical

 DENTIUM SUPERLINE™ & IMPLANTIUM® Internal Conical

 KLOCKNER® VEGA® Internal Hexagon



CSQ
MED
ISO 13485



[VIDEO](#)

Smart Implant Solutions

Tel.: + 34 943 322 812

[E-mail: sales@smartimplantsolutions.com](mailto:sales@smartimplantsolutions.com)

Headquarters:

Pº Mikeletegi 69, 20009 San Sebastián (Spain)

Manufacturing plant:

Pol. Ind. Galartza s/n ,48277 Etxebarria (Bizkaia)



THINK DIGITAL

www.smartimplantsolutions.com